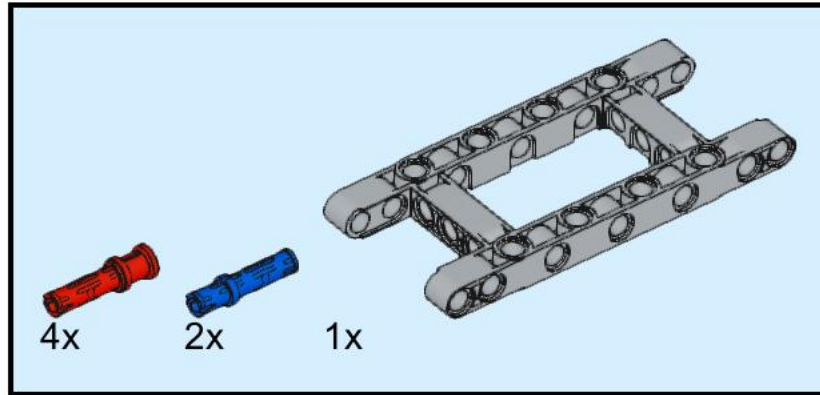
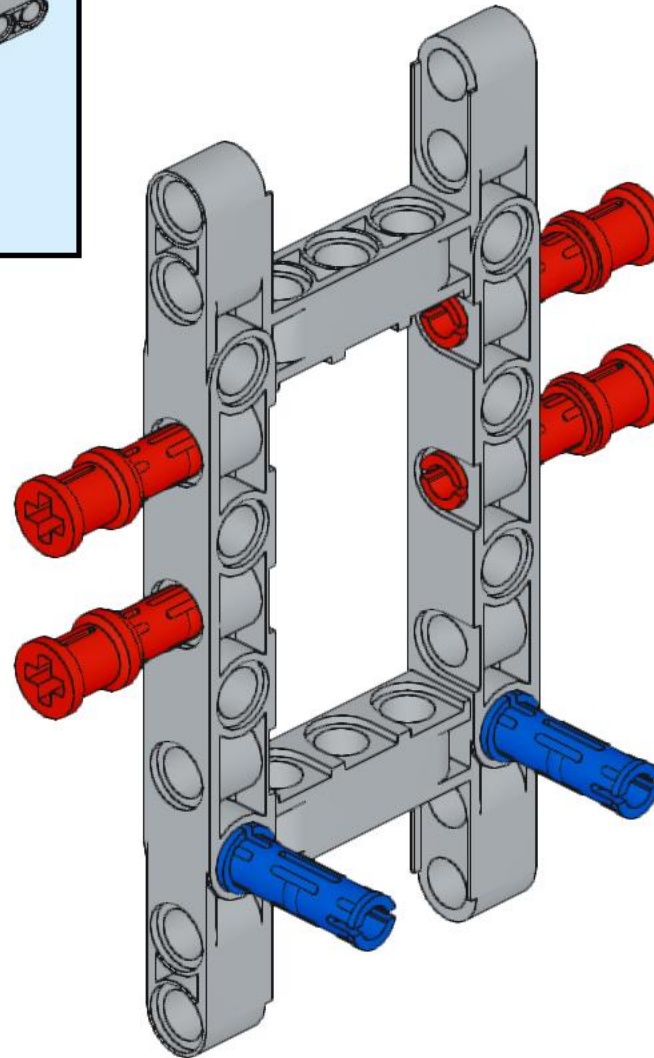


1

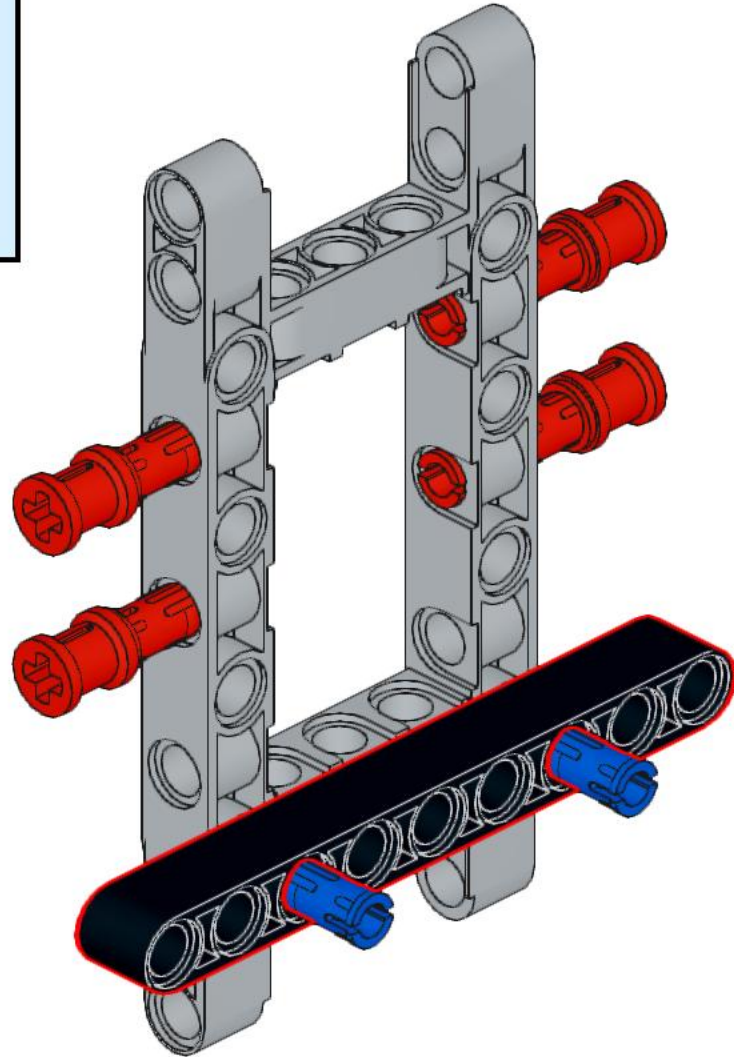
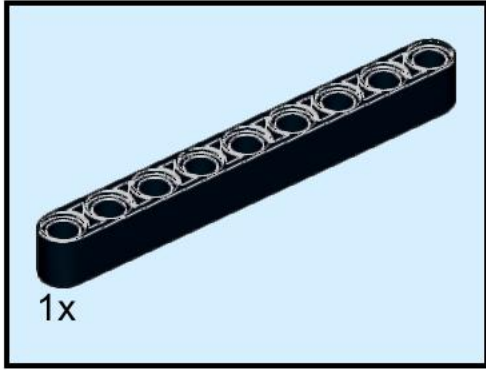


The pictured red pins
might be a different
colour (red, black, light
grey) so just use the
ones you have!

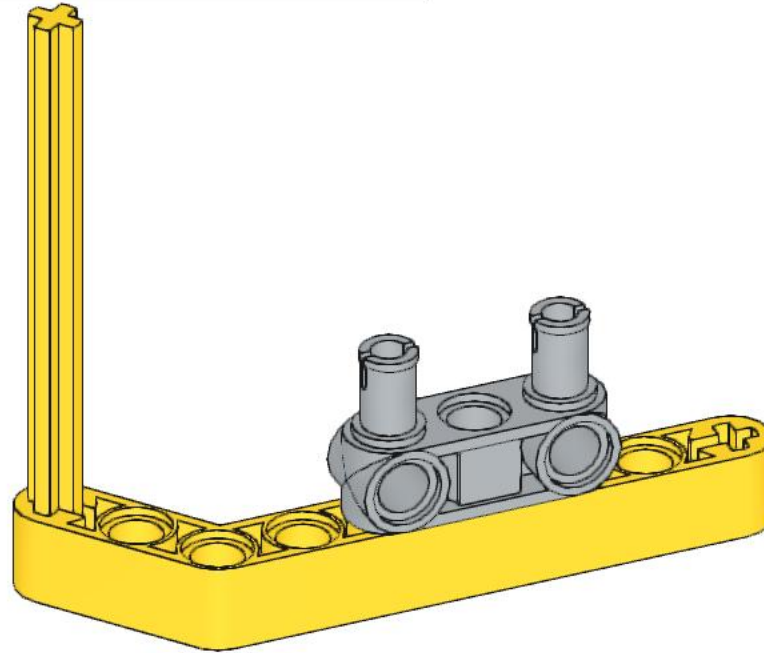
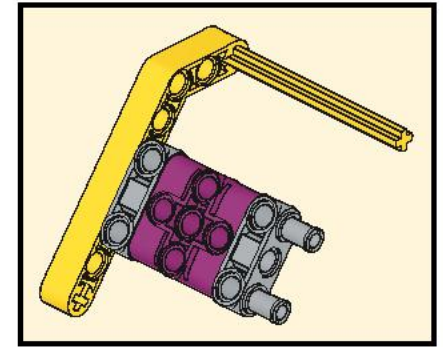
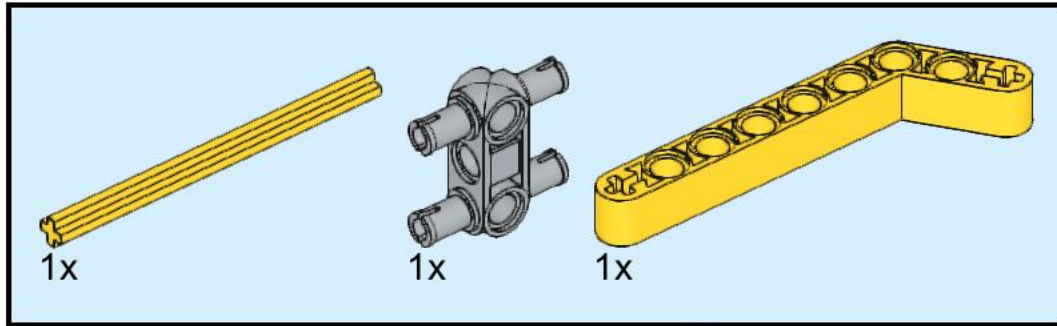
Make sure you only
push them in half way
(they lock in the sensor
later!)



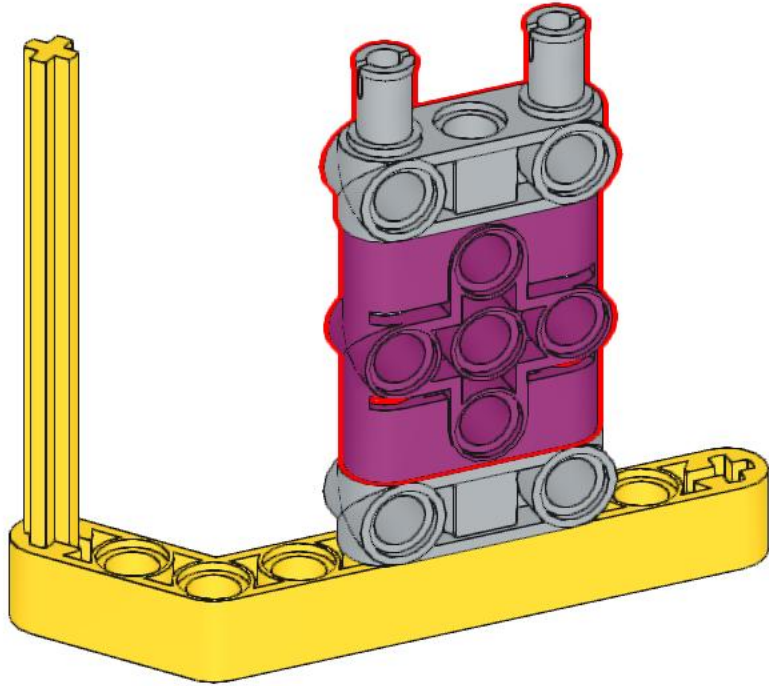
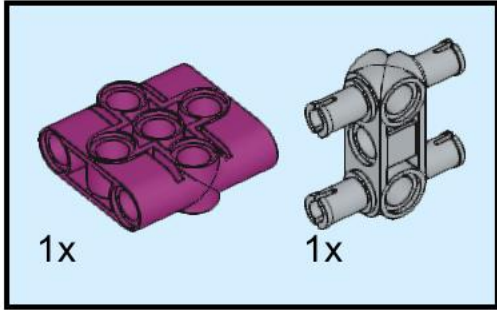
2



3



4



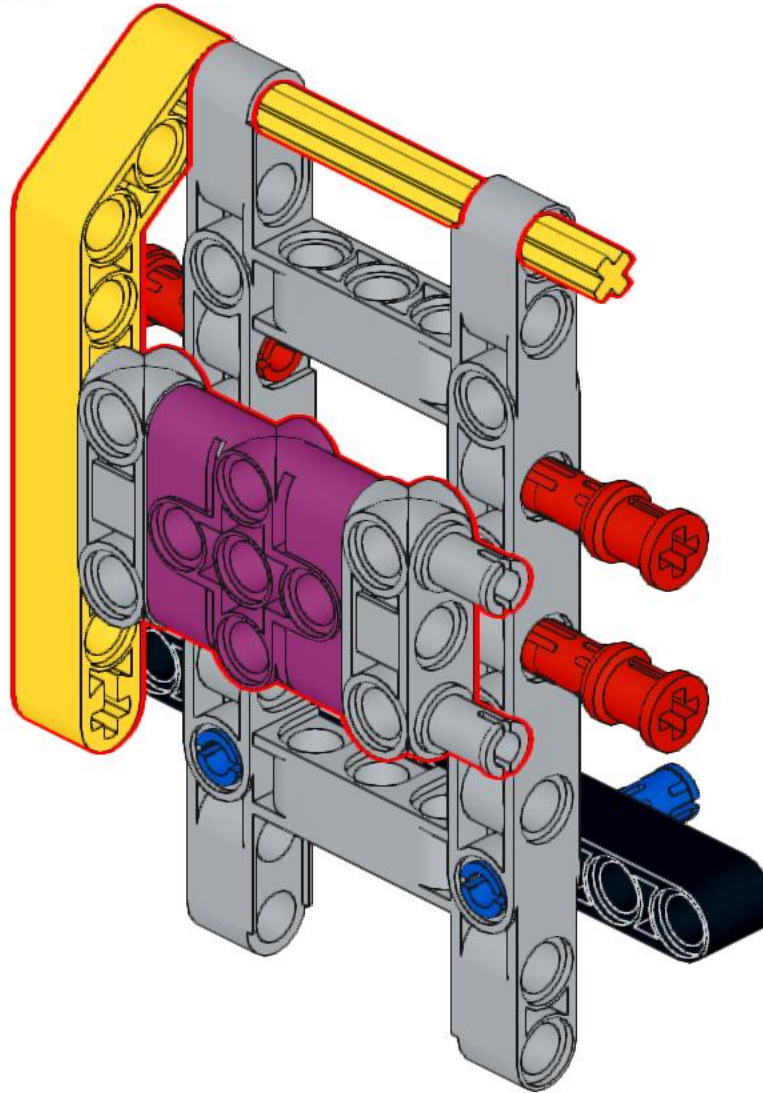
5



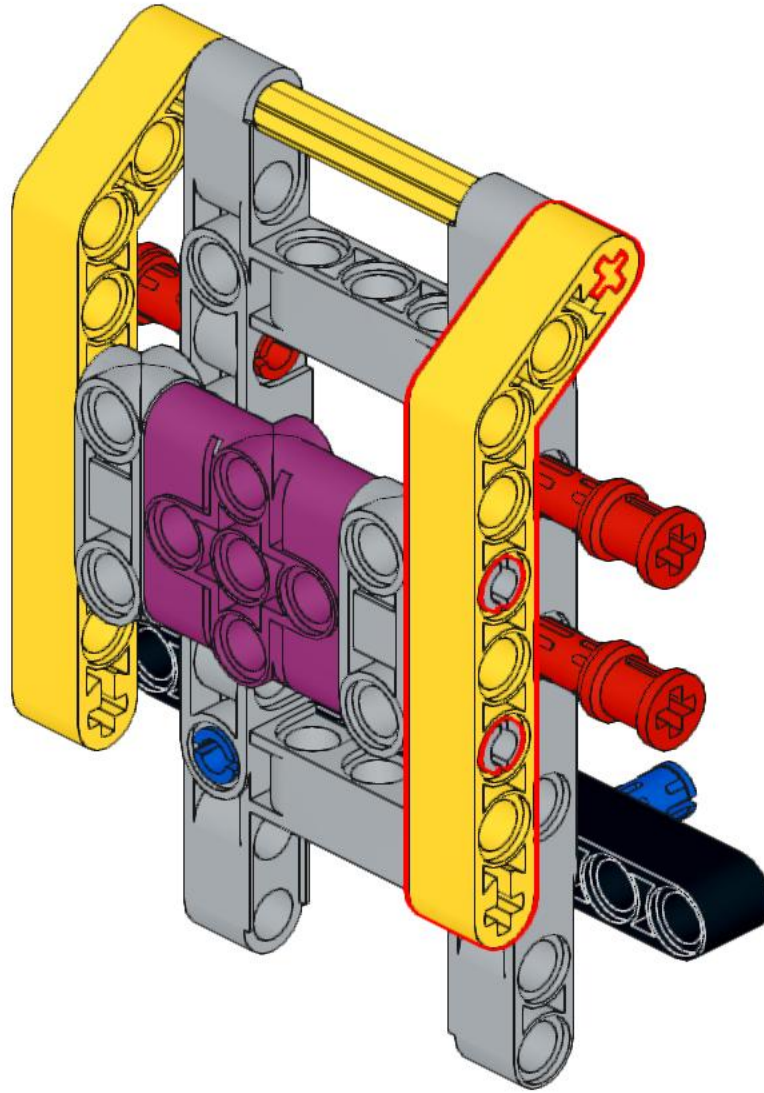
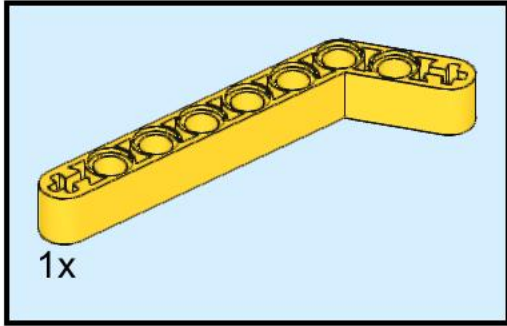
Slide into top hole



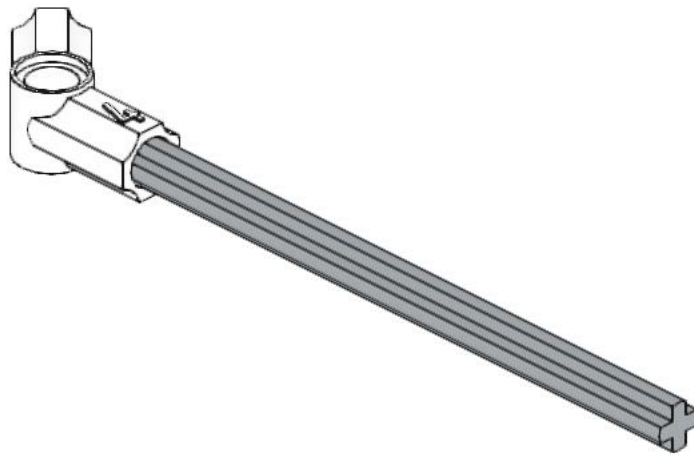
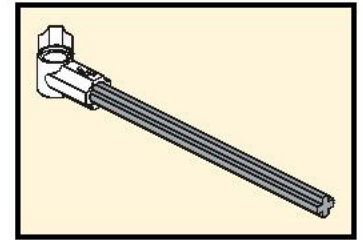
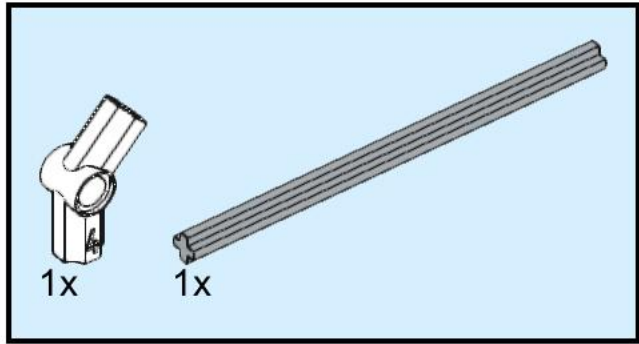
Make sure you rotate the model. The black beam with the two pins is now facing backwards.



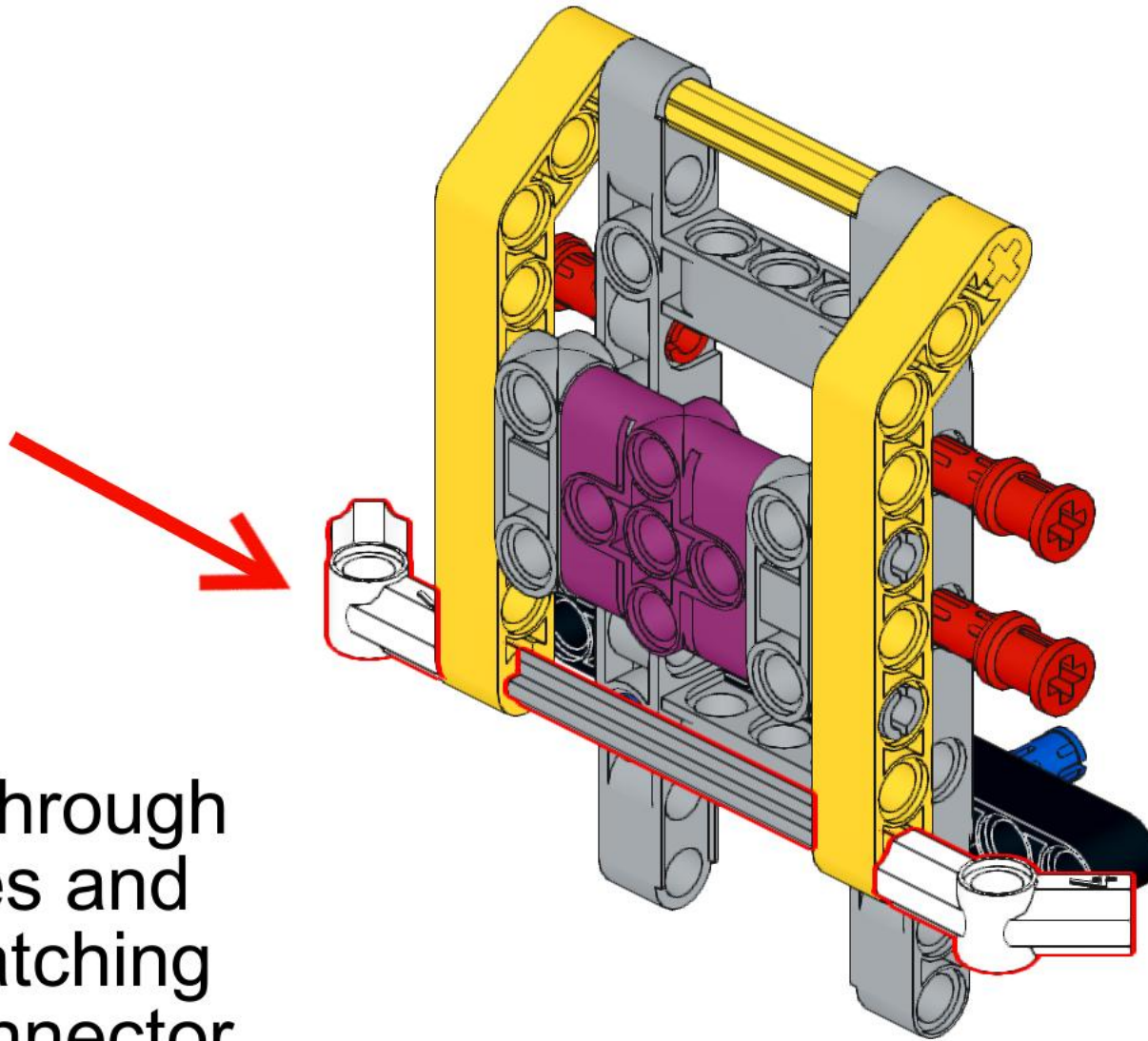
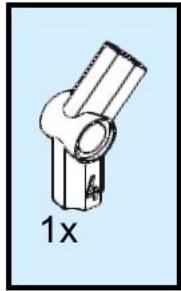
6



7

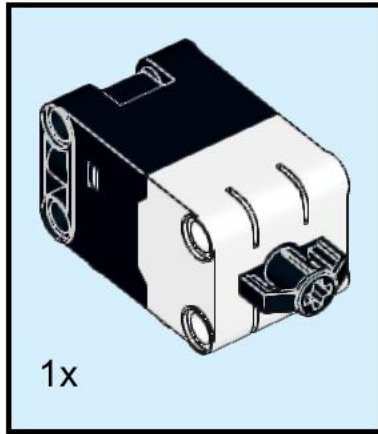


8



Slide in through
axle holes and
place matching
white connector
on the end.

9



Push the side pins in to lock into the holes on the side of the sensor.

