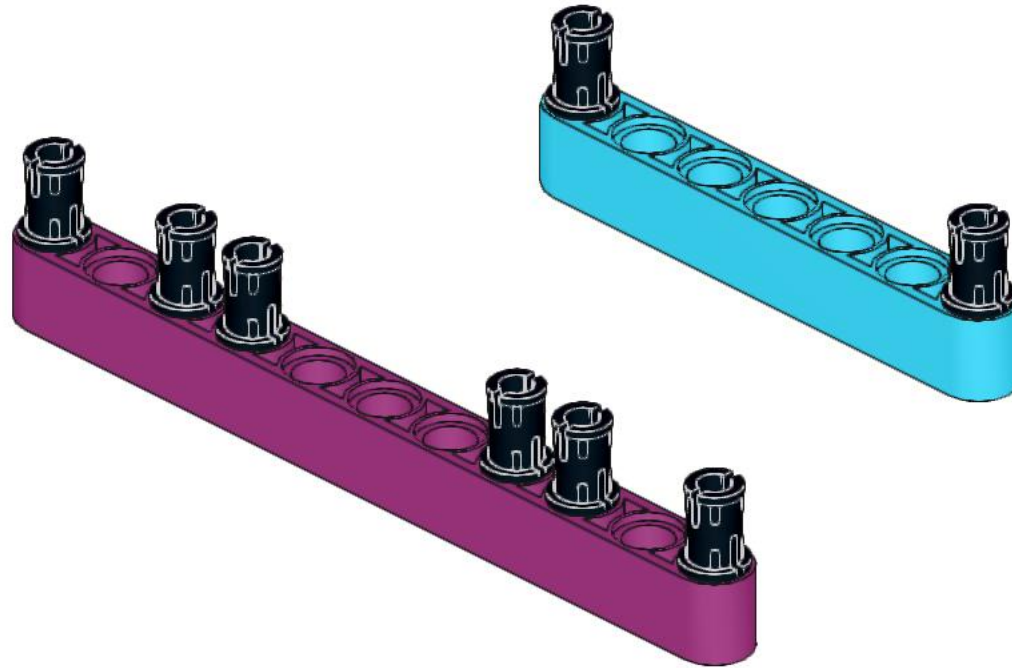
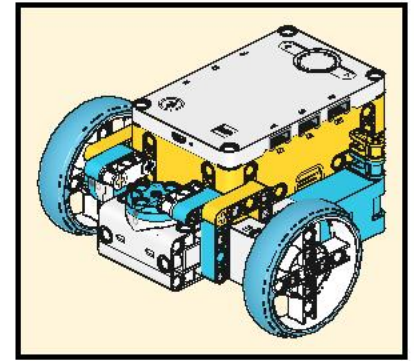
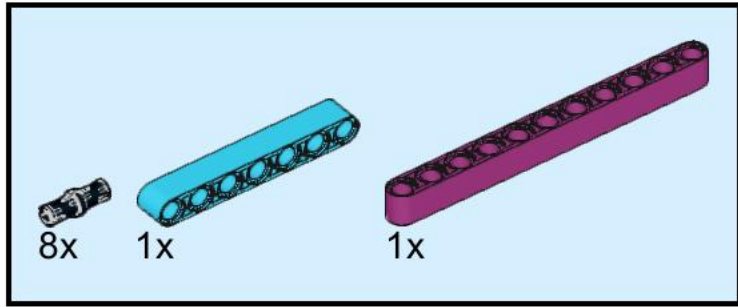
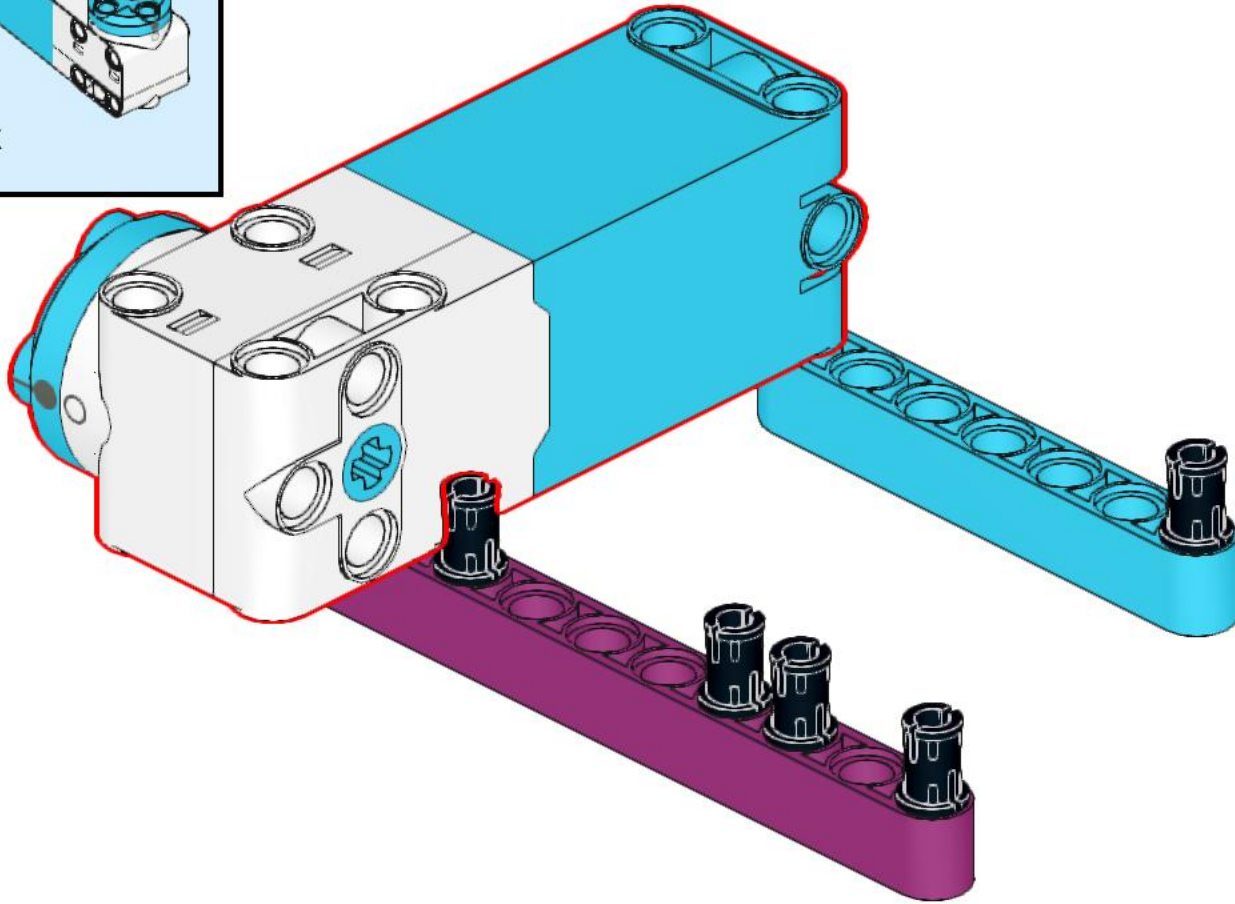
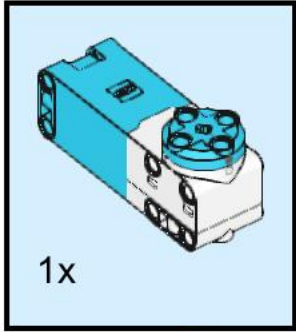


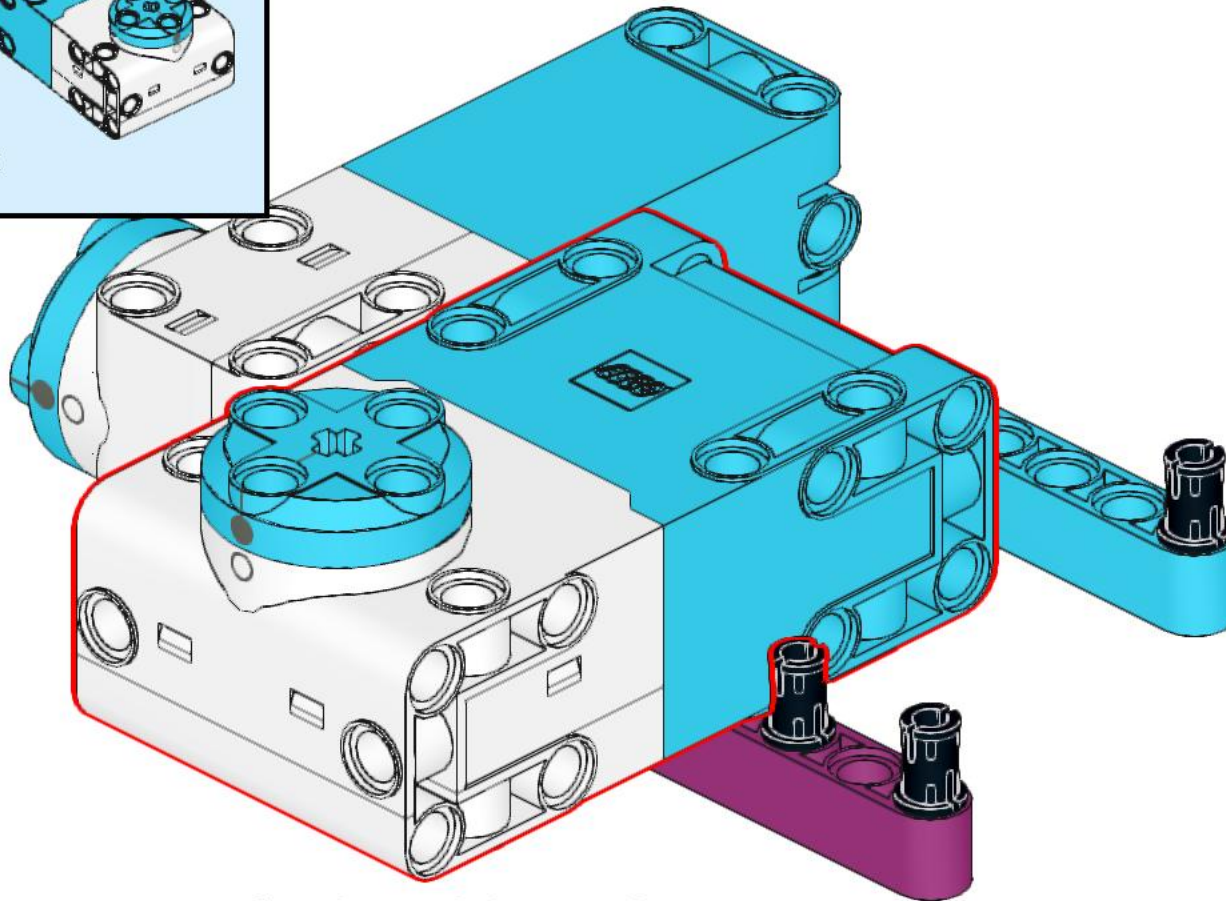
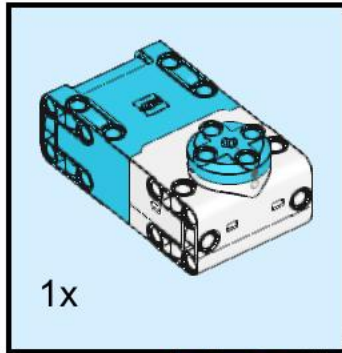
1



2

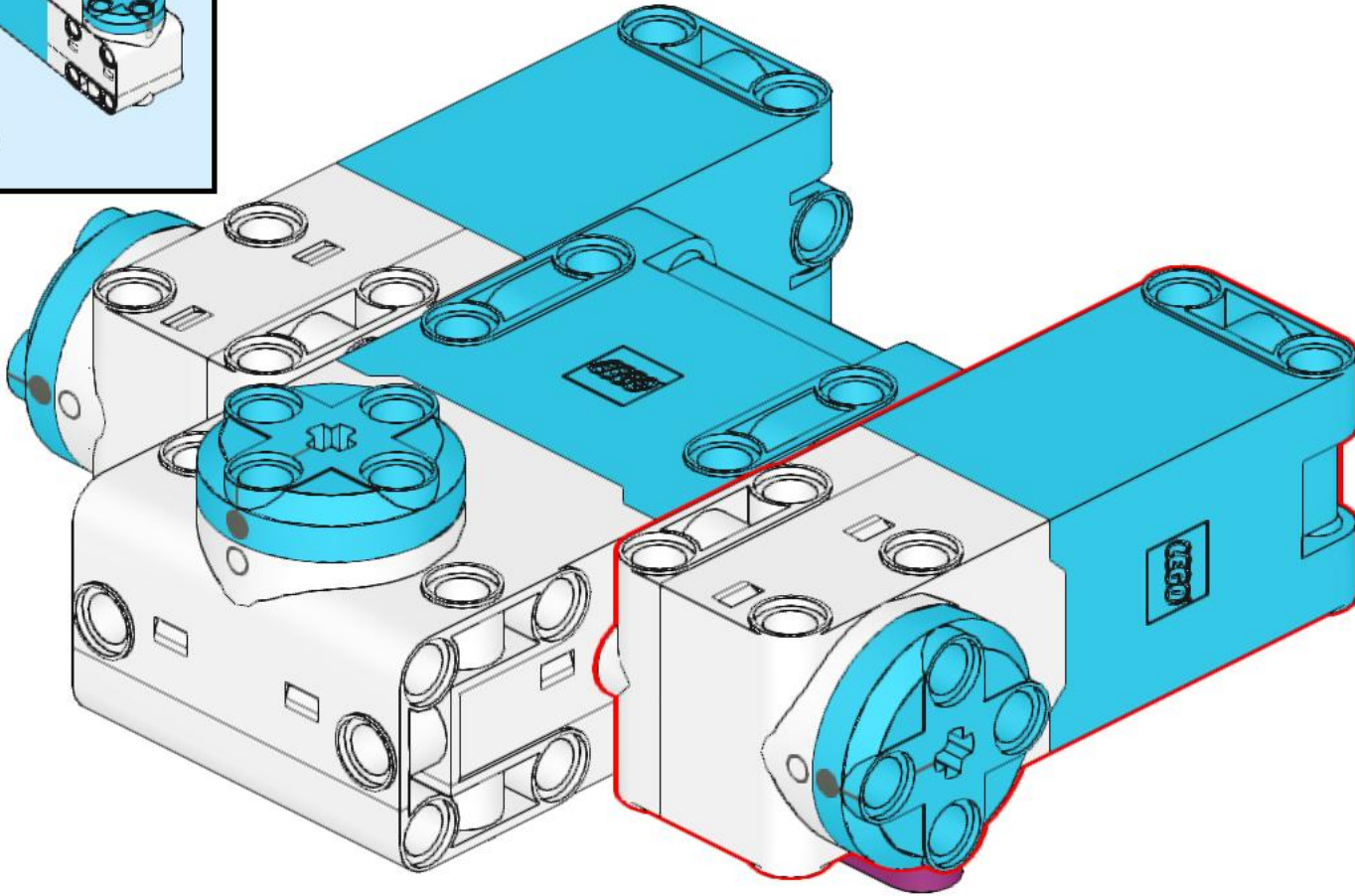
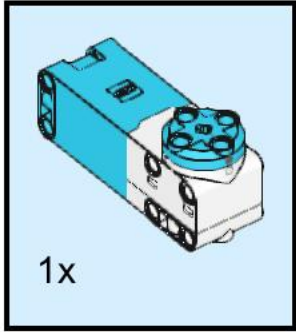


3

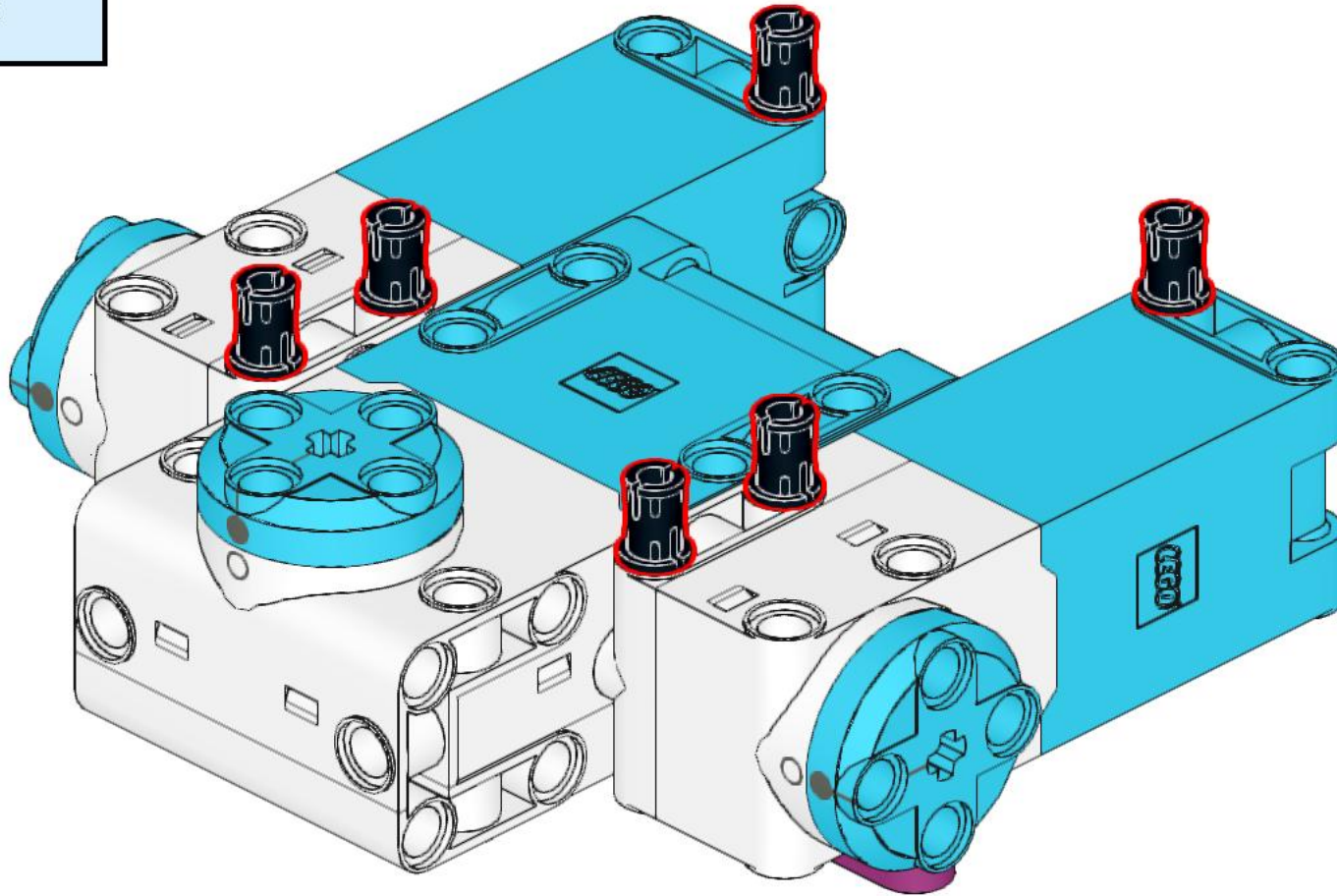


This may not feel stable - place a beam under motor to keep level

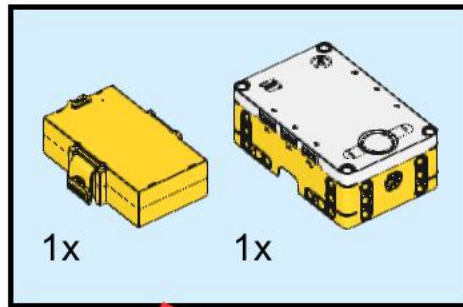
4



5

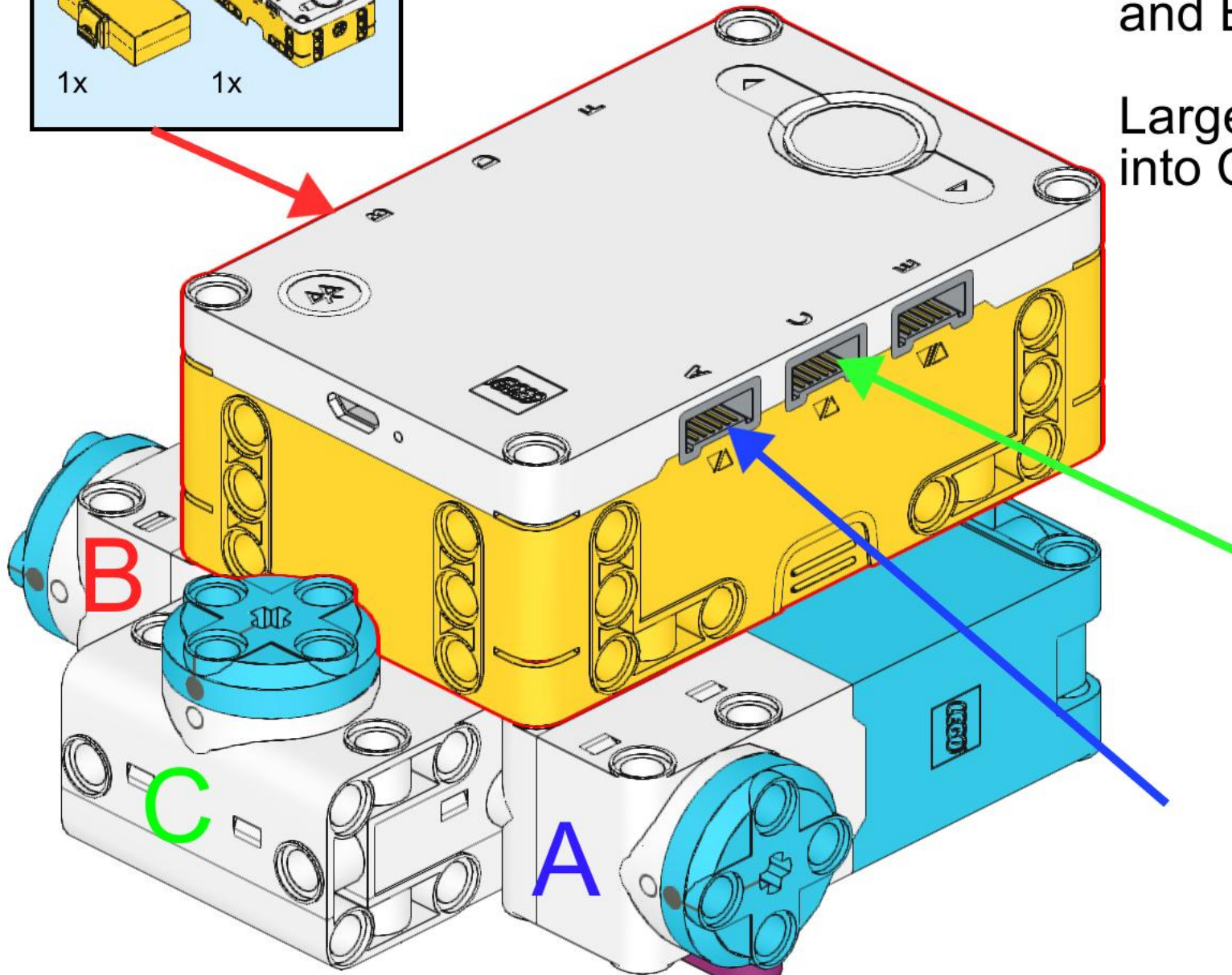


6

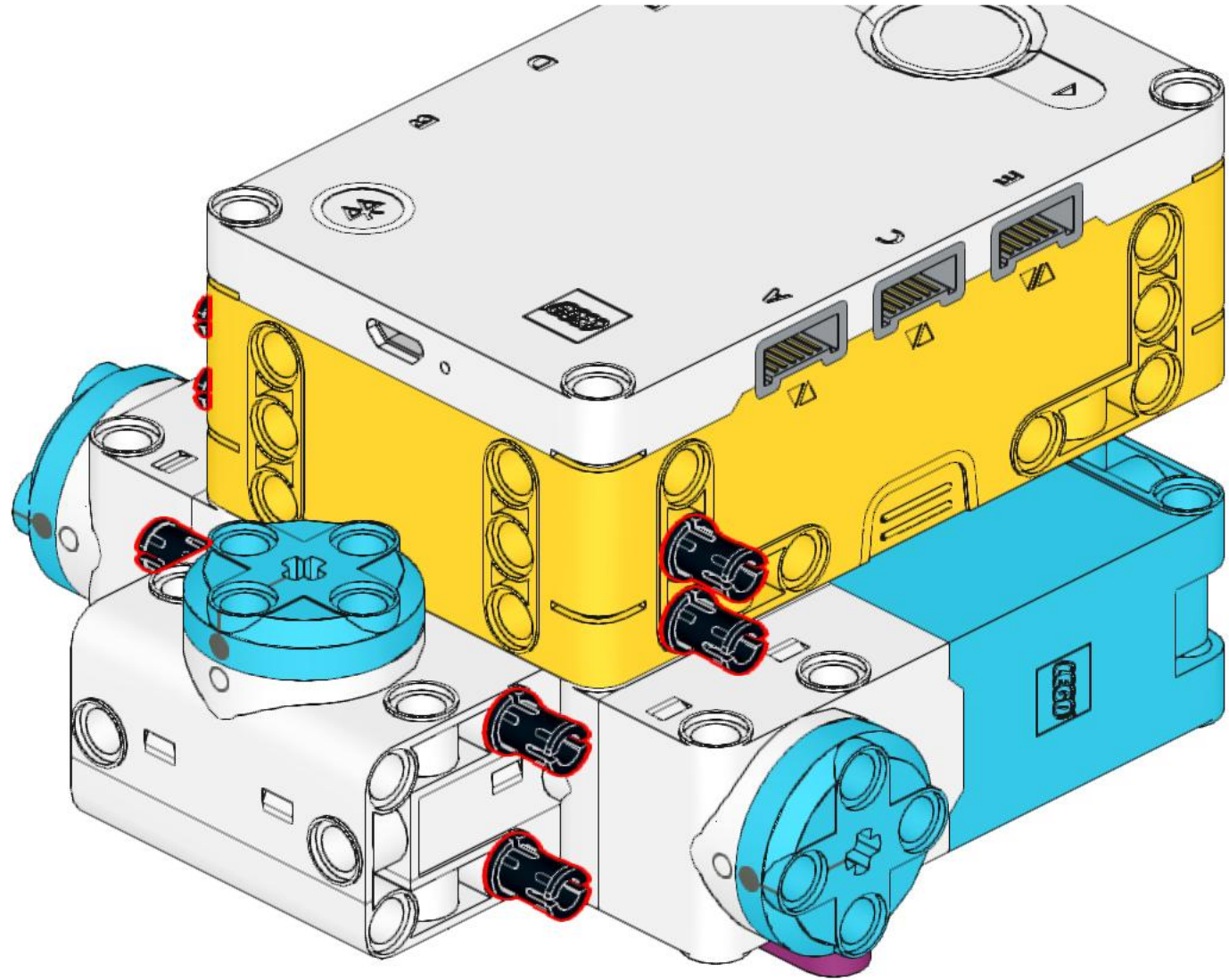


Smaller motors
plug into port A
and B (their side).

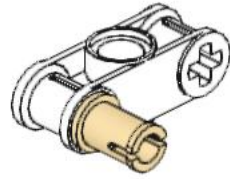
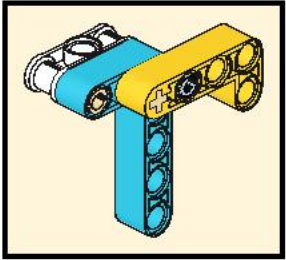
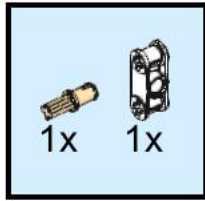
Large motor plug
into C



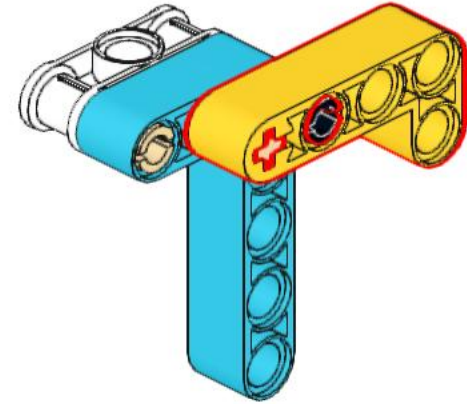
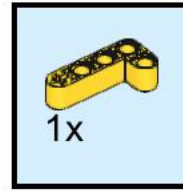
7



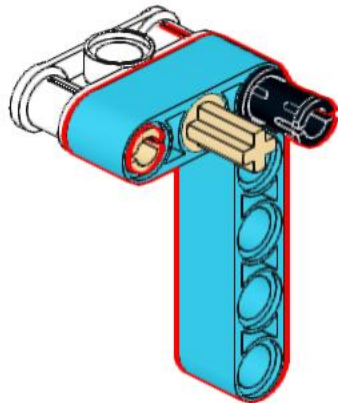
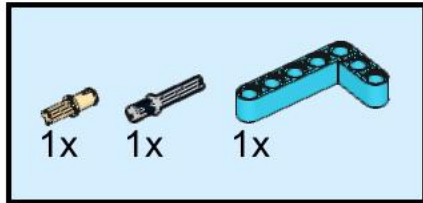
8



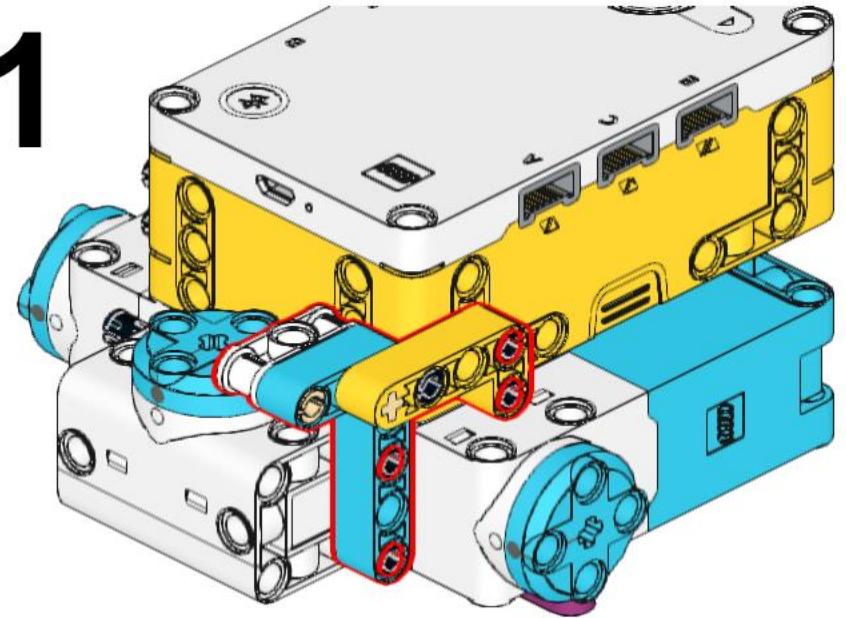
10



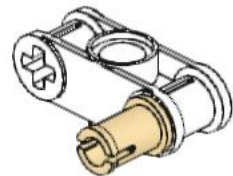
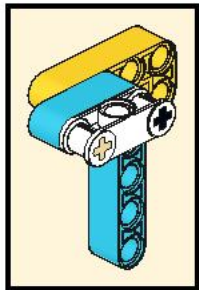
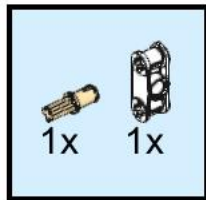
9



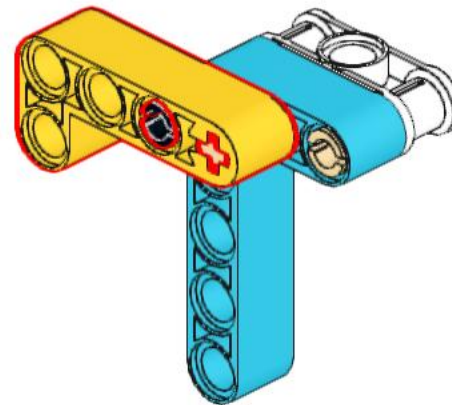
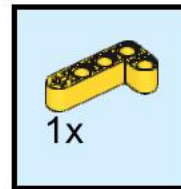
11



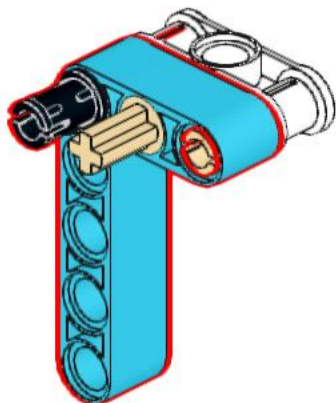
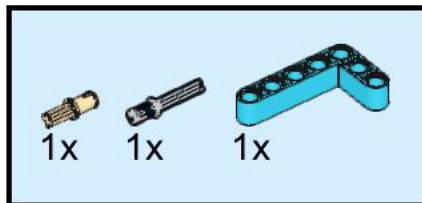
12



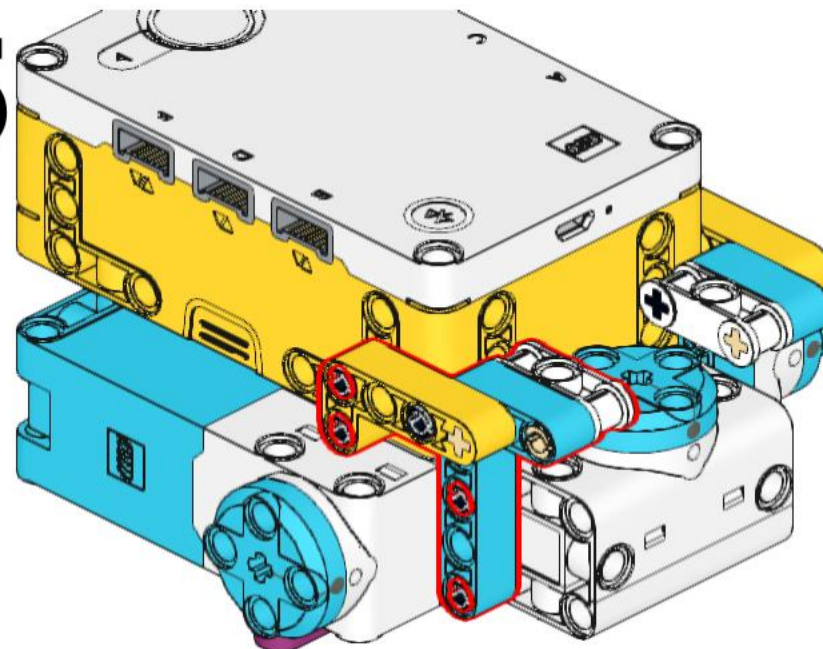
14



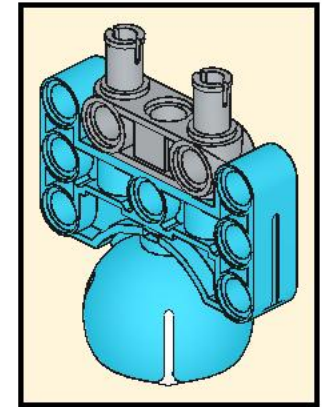
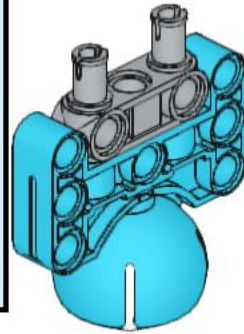
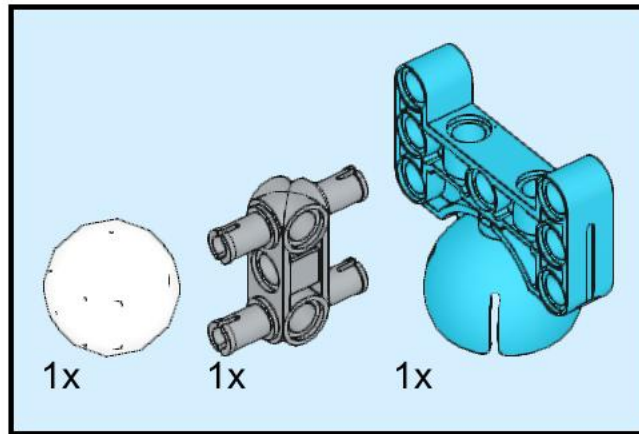
13



15

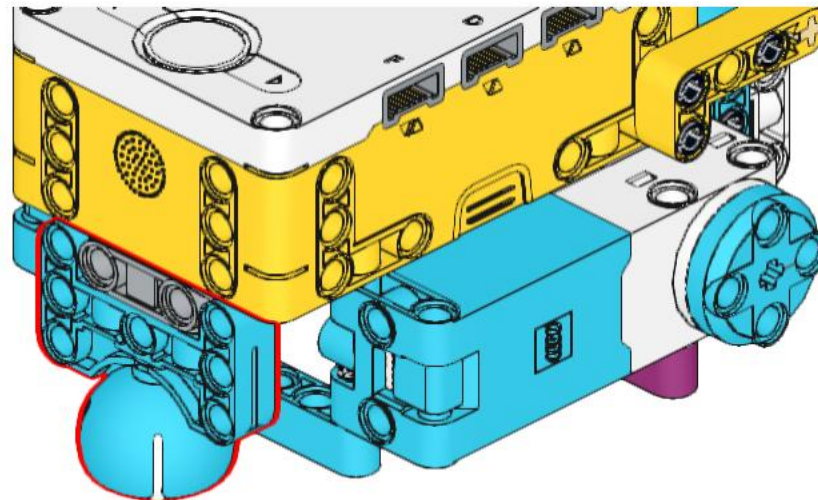


16

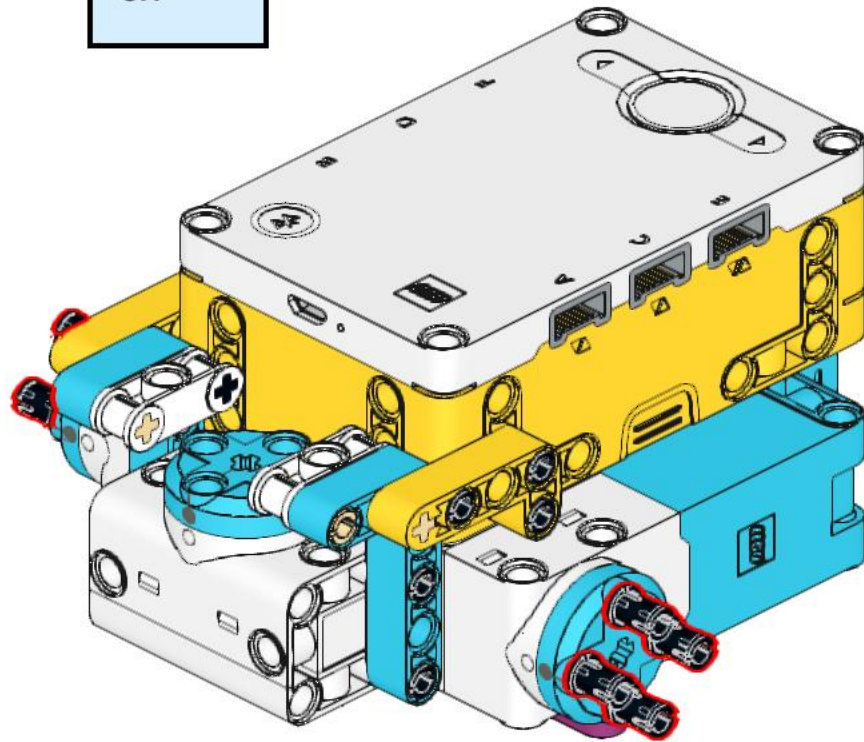


17

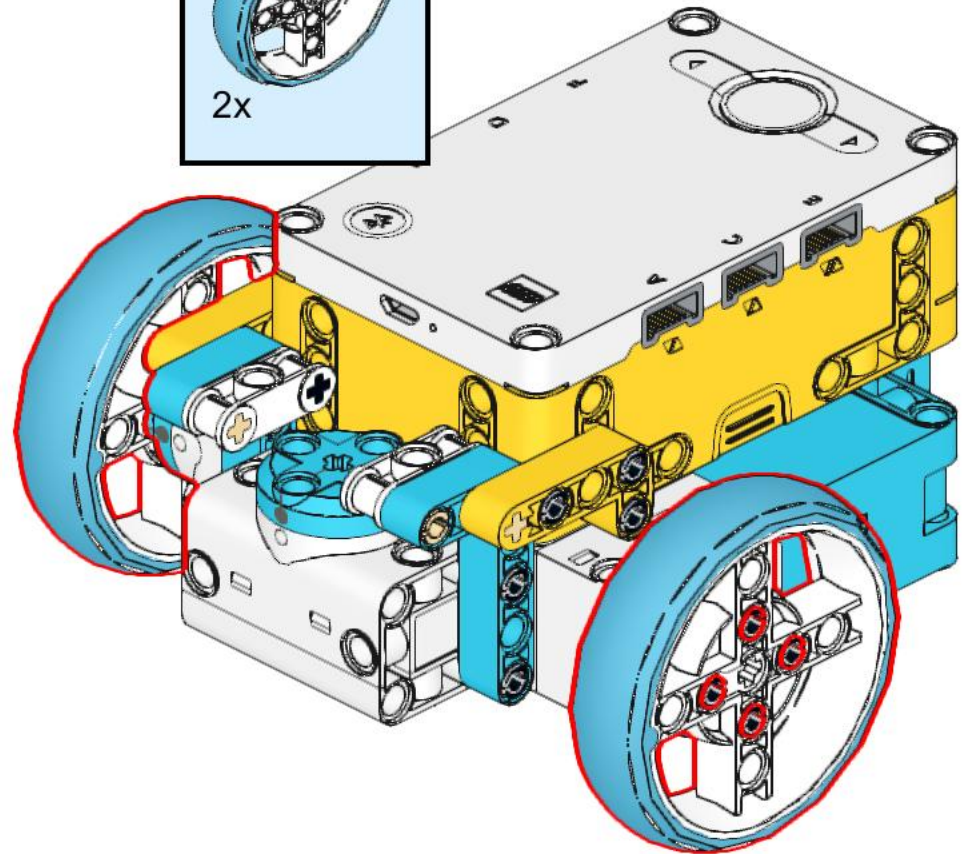
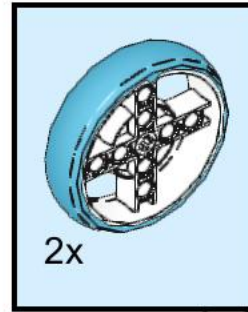
As you place this, tuck cables away in the space between the motors and the blue beam.



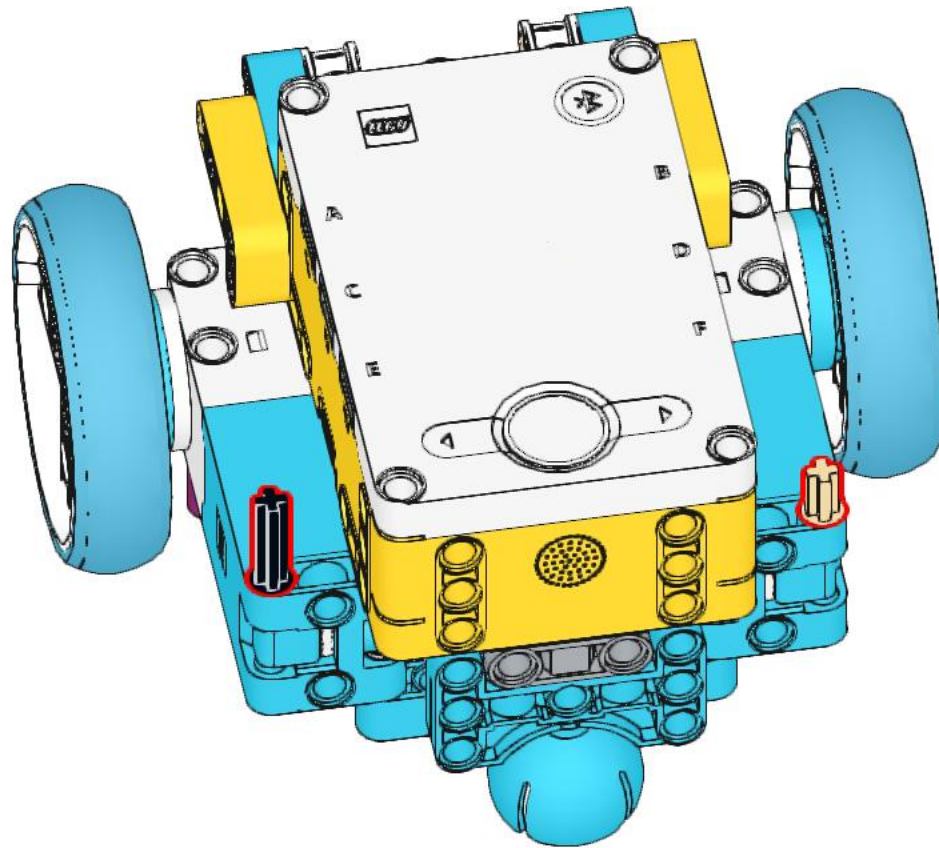
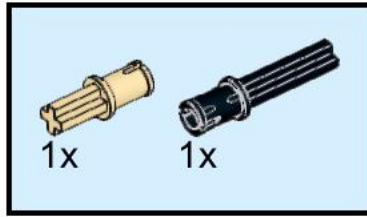
18



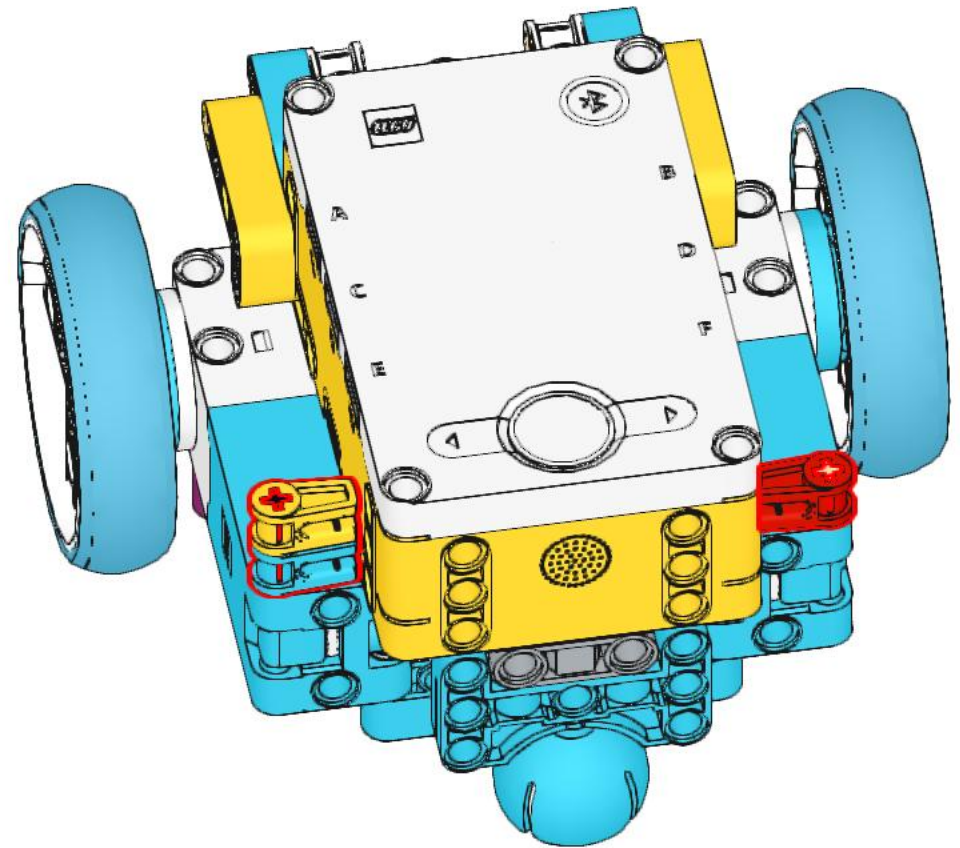
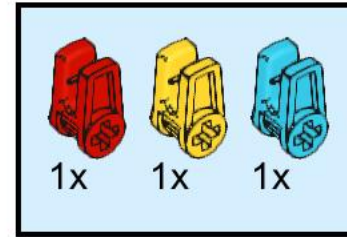
19



20

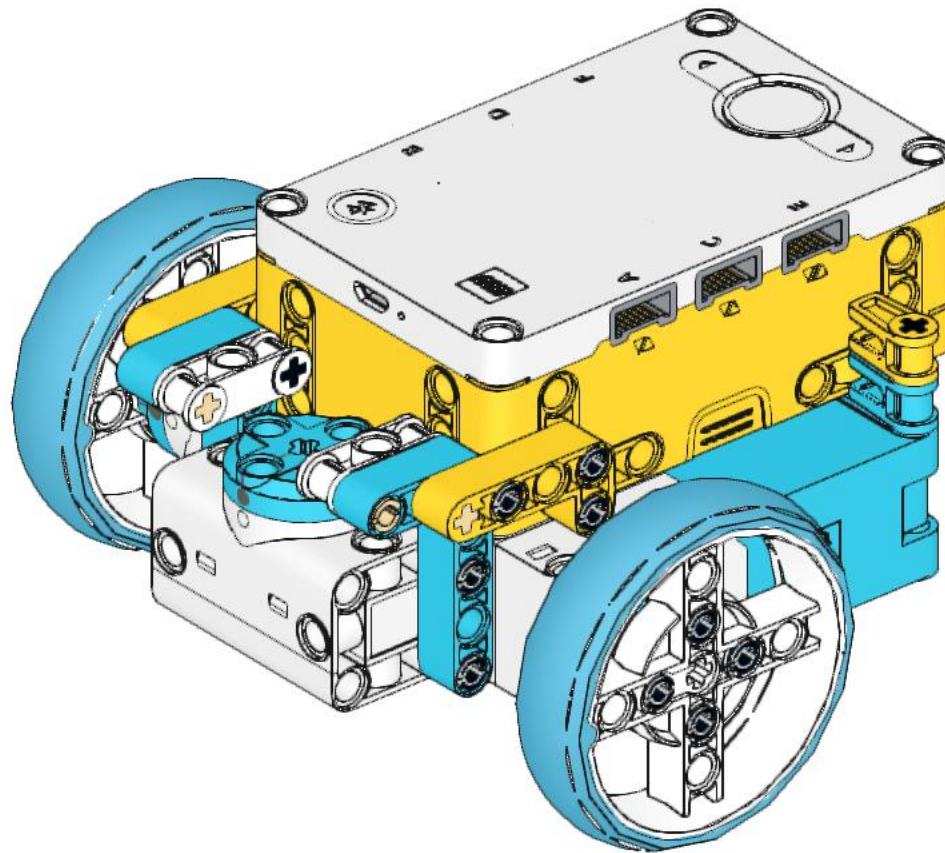


21

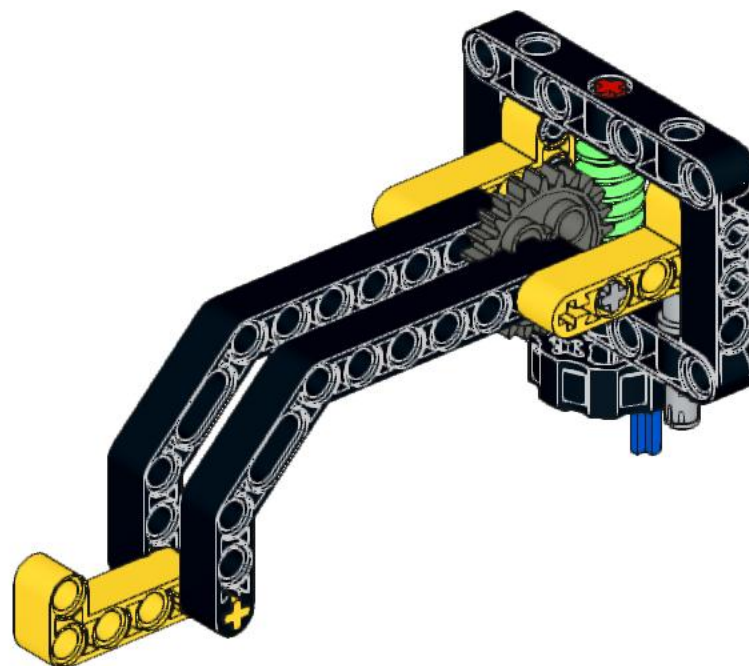
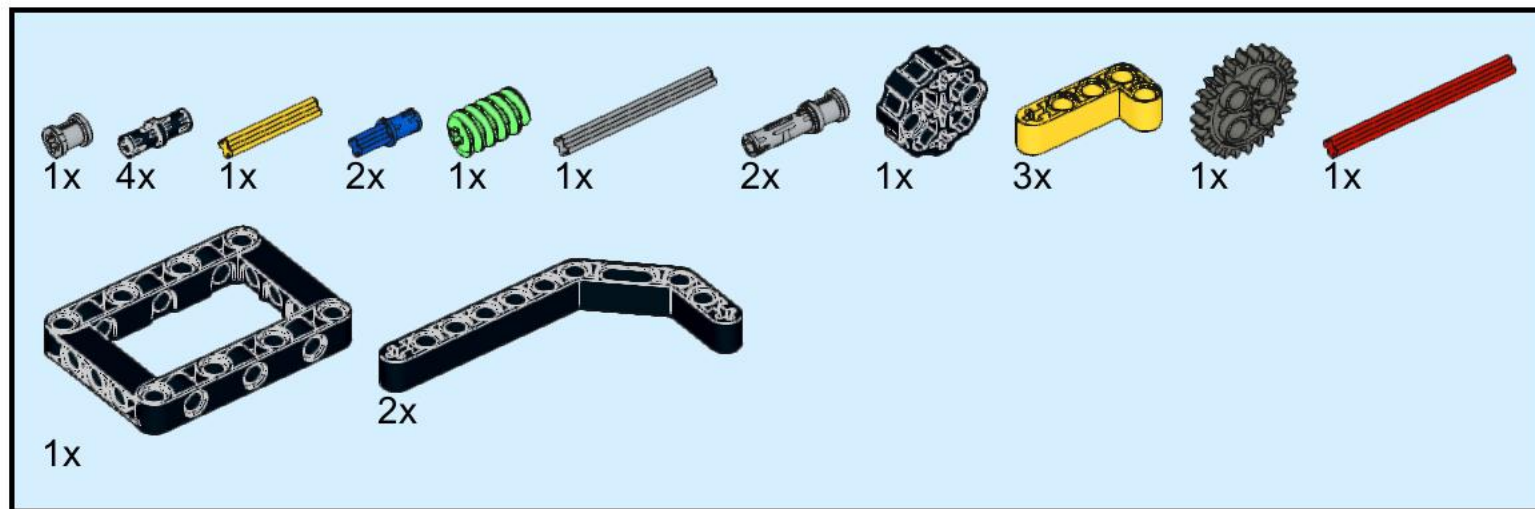
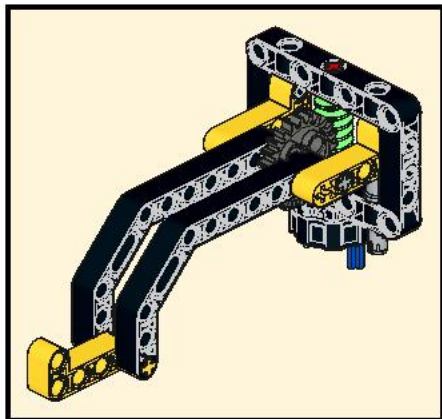


The cables need to be placed in these clasps, then onto the axle pins. Tuck all excess cable underneath robot

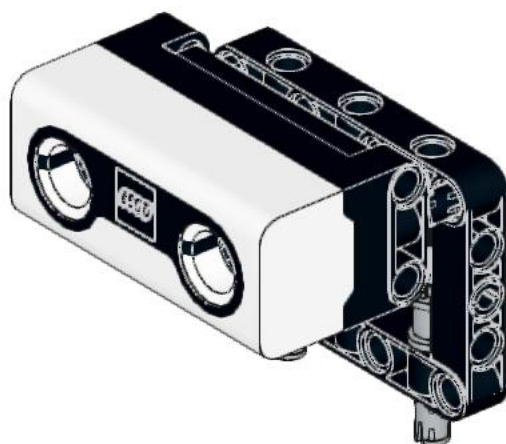
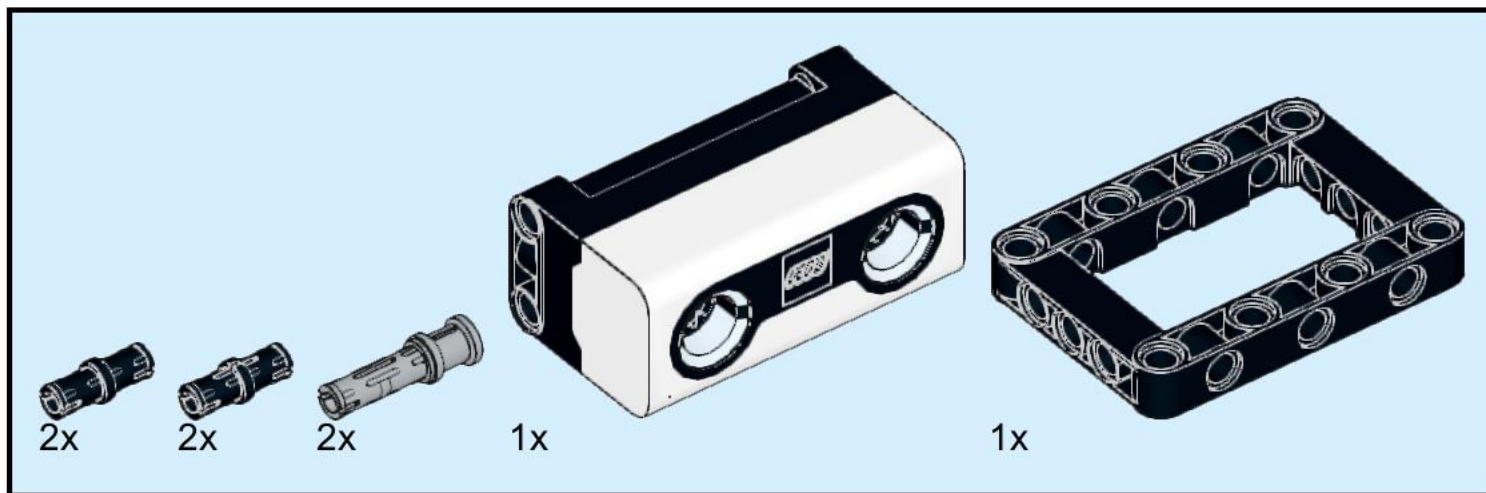
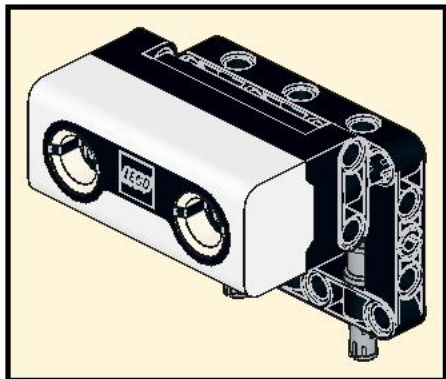
22



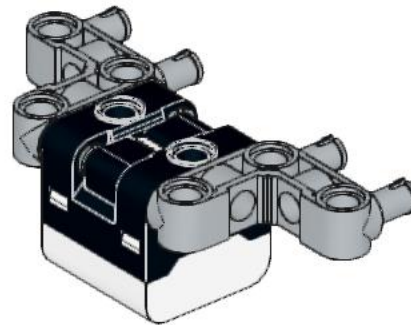
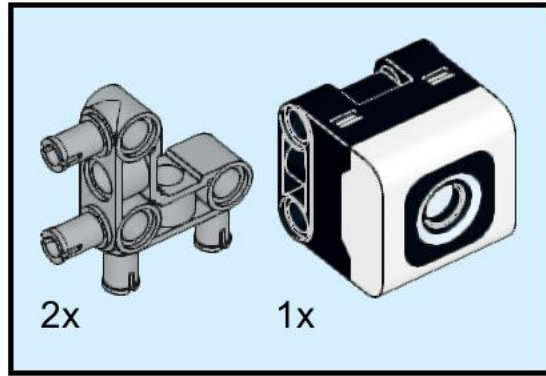
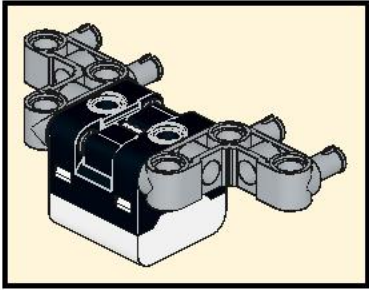
23



24



25



26

