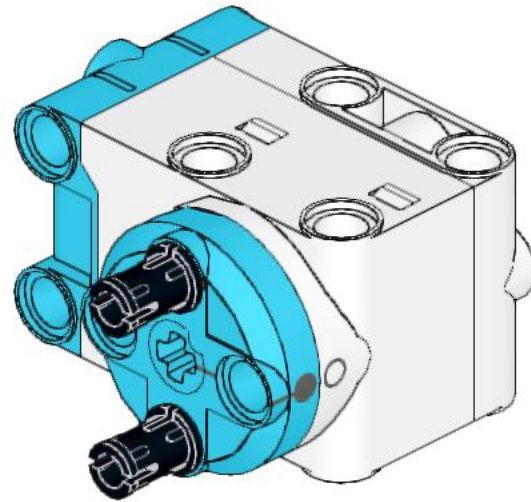
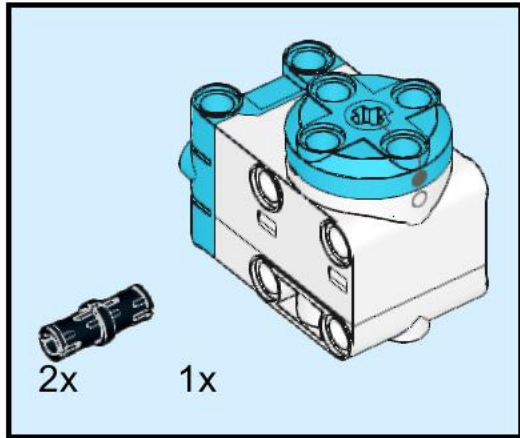
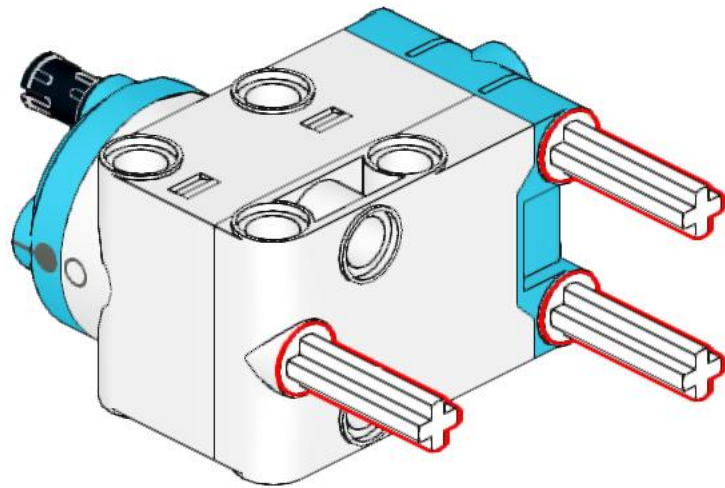
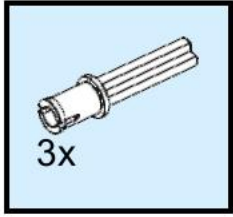


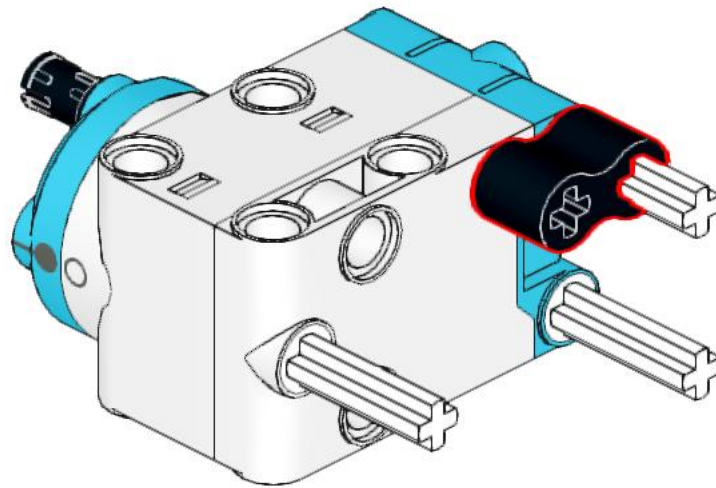
1



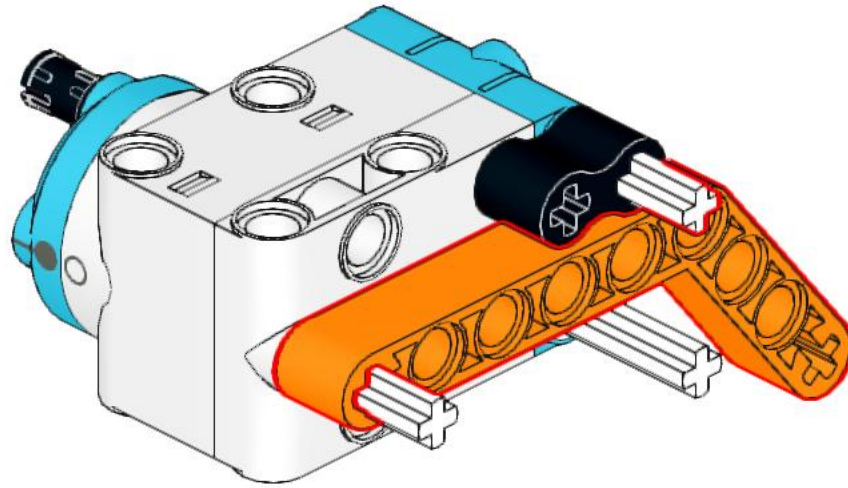
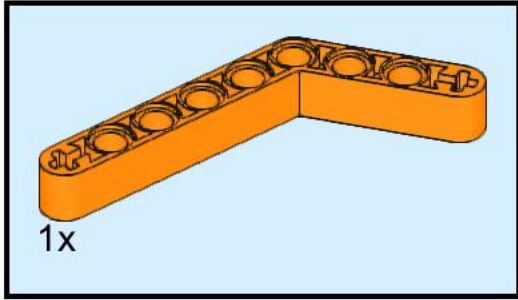
2



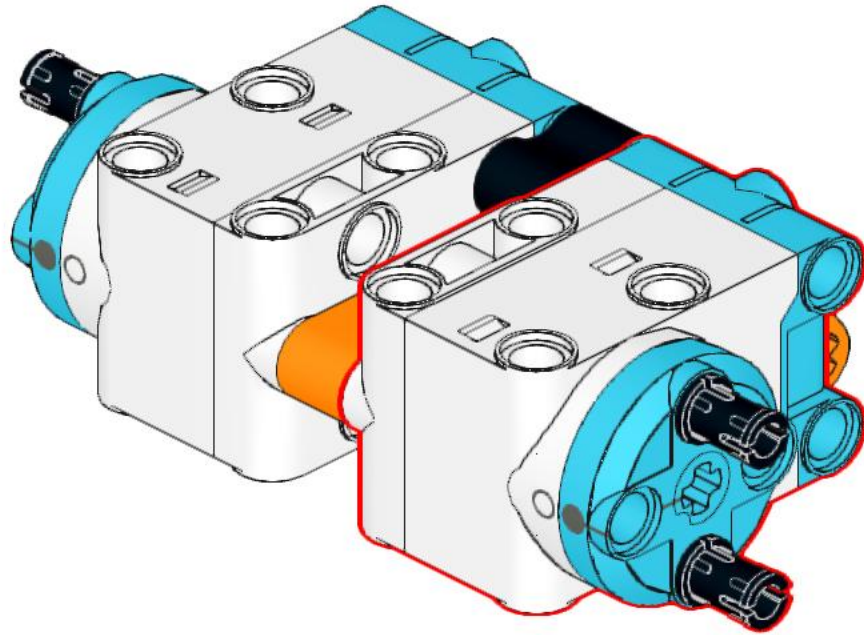
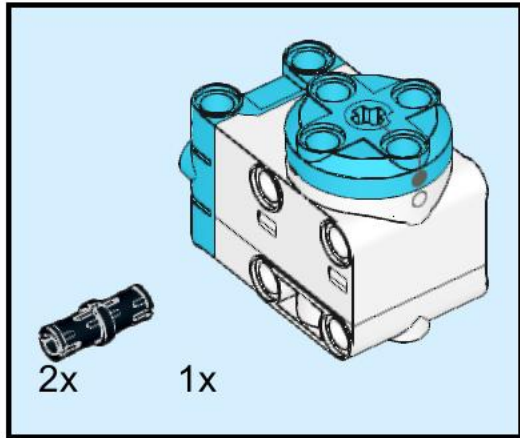
3



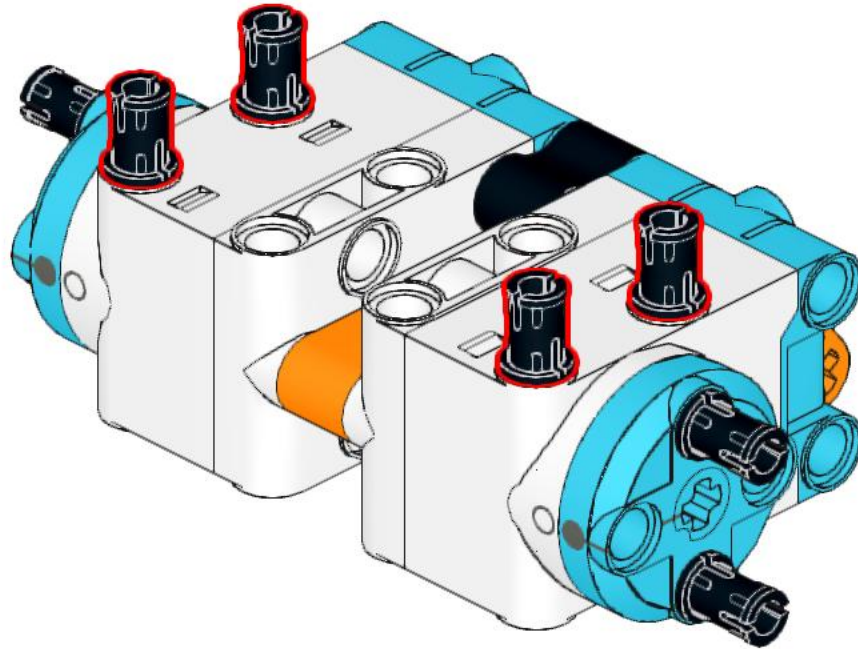
4



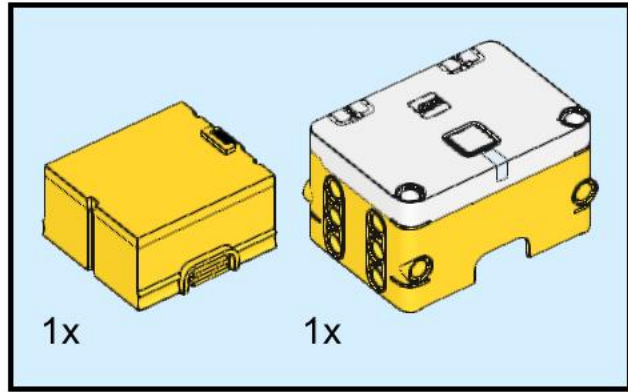
5



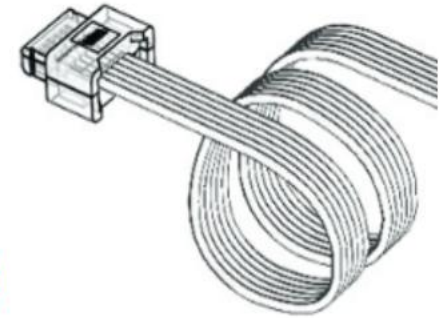
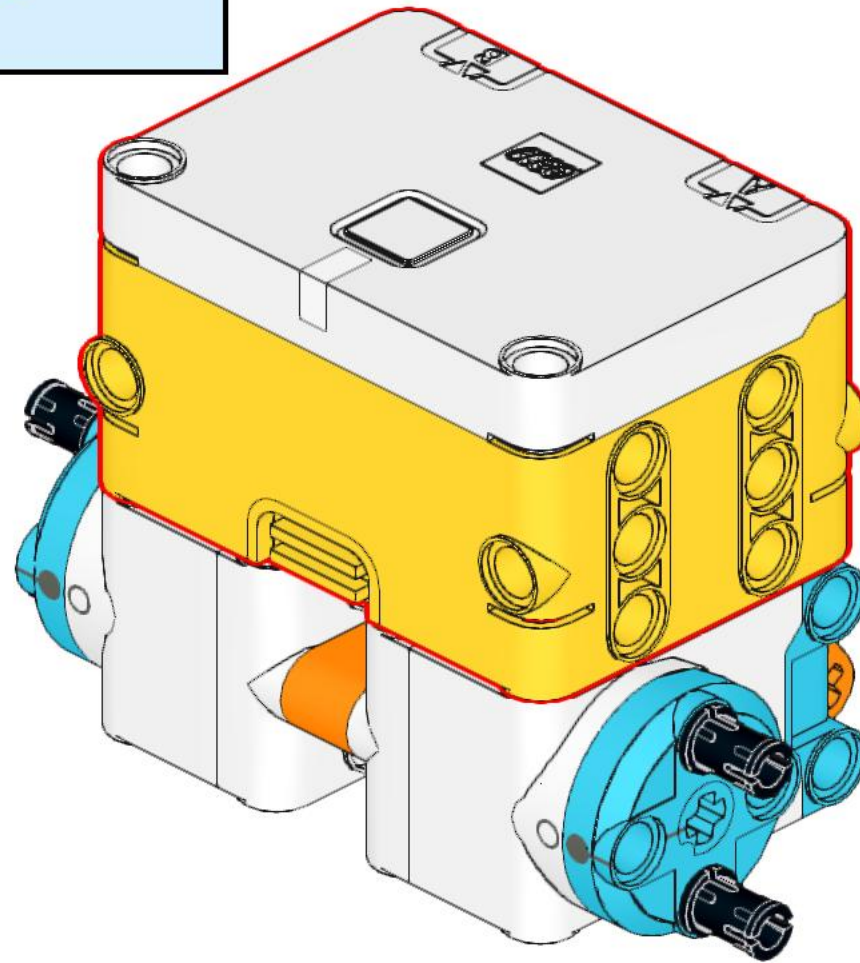
6



# 7

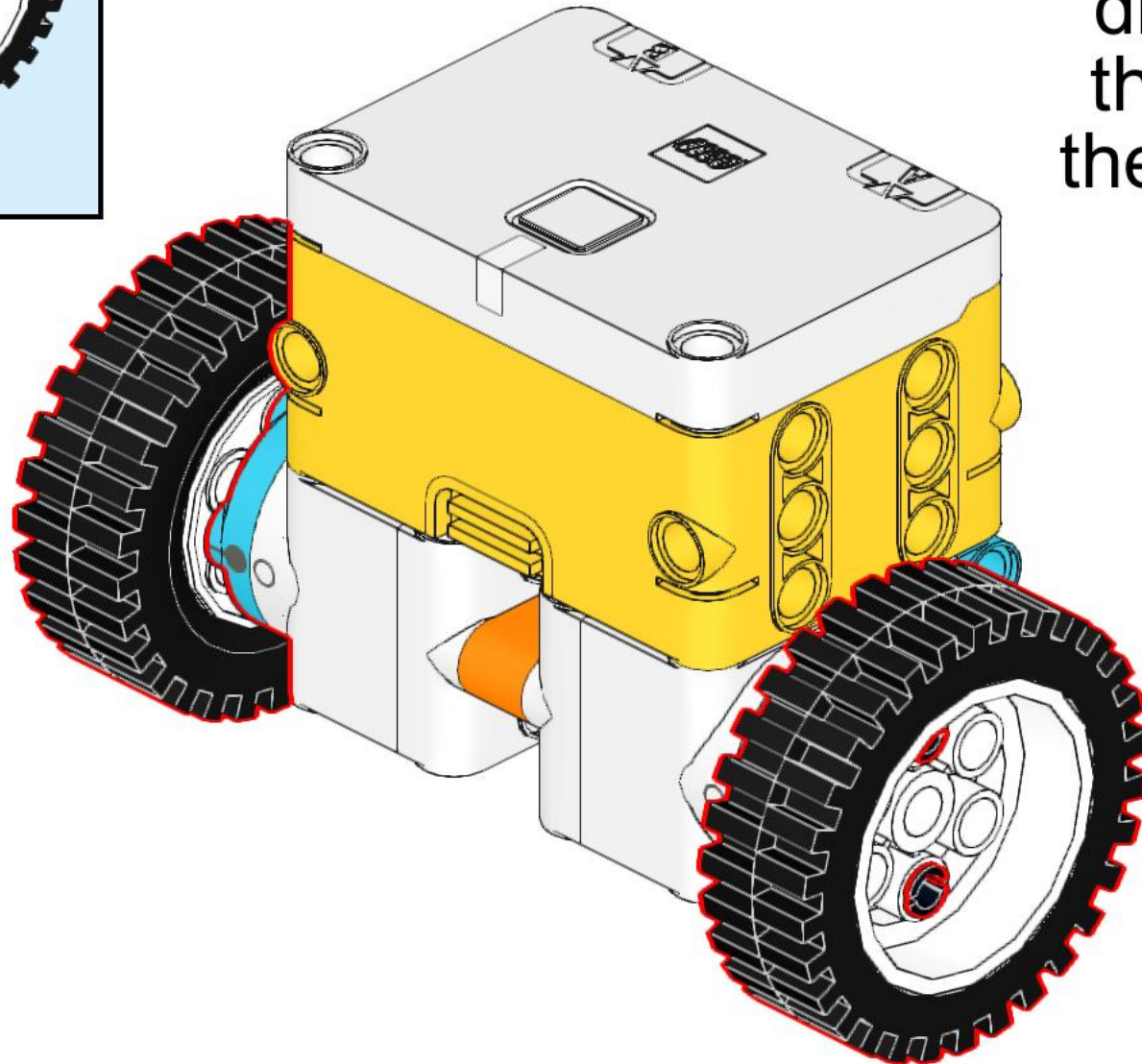
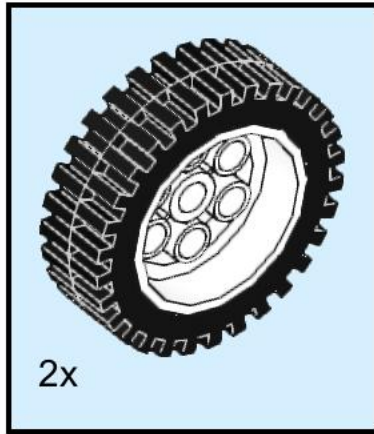


Connect the motor cables to each side. Coil them to keep them tidy.





8



Your wheels look a little different, but they will fit in the same way.